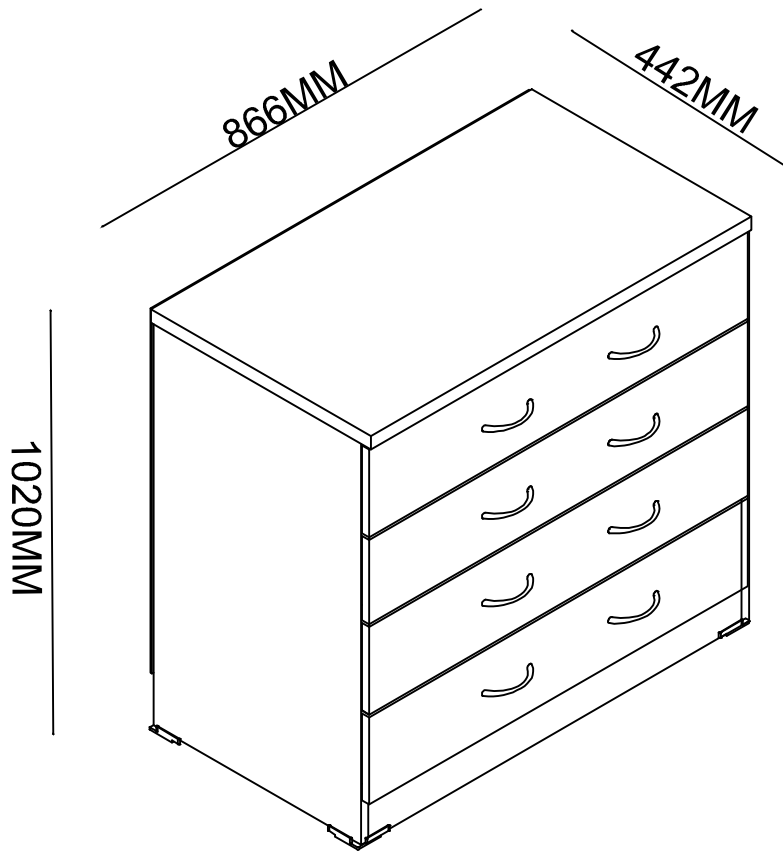


## ASSEMBLY INSTRUCTION

SPACESAVER MKII BUDGET 4 DRAWER TALL CHEST  
ITEM CODE 82073

Imported by Amart Furniture Pty Ltd, Qld, Brisbane Australia.  
For any assistance with assembly or for missing parts please phone  
Amart Furniture, Customer Service Free call 1800 937 566

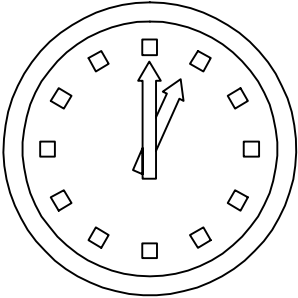

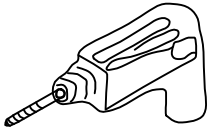
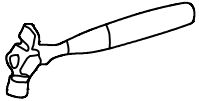
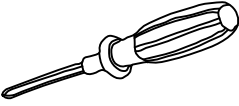
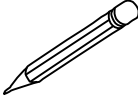


Imported by Amart Furniture Pty Ltd, Qld, Brisbane Australia.  
For any assistance with assembly or for missing parts please phone  
Amart Furniture, Customer Service Free call 1800 937 566

# PRE-ASSEMBLY PREPARATION

Before you start:

1. Choose a clean, level, spacious assembly area. Avoid hard surfaces that may damage the product.
2. Take care when lifting. Product should be assembled as near as possible to the point of use.
3. Ensure that you have all required contents for complete assembly.
4. Always read the assembly instructions carefully before beginning assembly.
5. Keep all hardware parts and packaging out of reach of small children.
6. Do not over tighten the screws and bolts as this may damage the threads.

 <p>70min</p>	 <p>1 People Required</p>	<p>IF REQUIRED</p>  <p>Low speed (Ø6mm)</p>
   <p>ADDITIONAL TOOLS REQUIRED</p>		

## **WARNING**

### **Children have died from furniture tipover.**

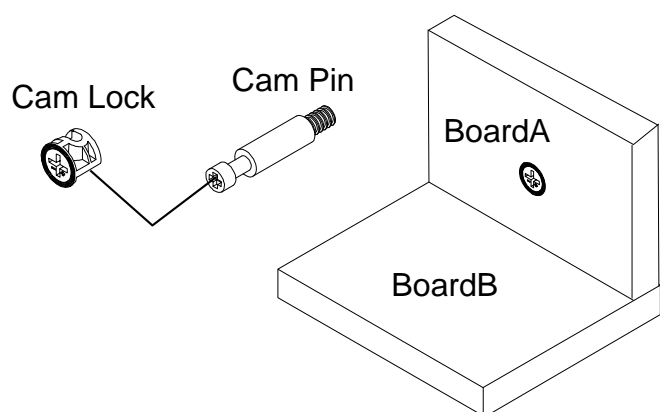
- ALWAYS secure it with an anchor device.
- NEVER allow children to stand, climb or hang on drawers, doors, or shelves.
- NEVER open more than one drawer at a time.
- Place heavy items down low

**NEVER put a TV on this furniture**



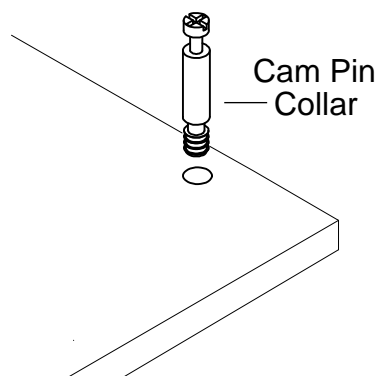
**This is a permanent label.  
Do not remove!**

# TO USE CAM LOCK FASTENERS



To assemble this product hardware called Cam Lock Fasteners are used. The below is information on how these work.

Cam Locks are fasteners used to join two boards together, usually the edge of one board (A) to the flat side of another board (B).

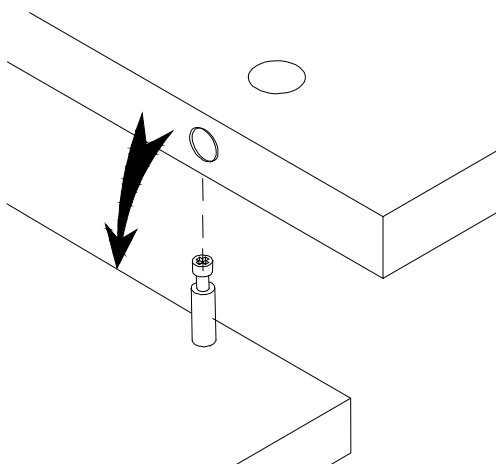


The Cam Pin is inserted into the flat side of a board, it is important that: The cam pin is kept vertical and is not put in on an angle.

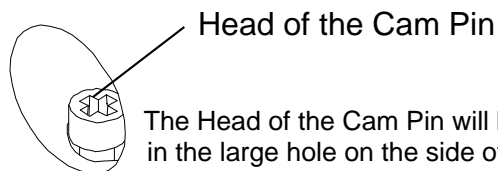
Cam pin is to be inserted up to collar

Too far and it wont catch the Cam Lock (Do Not Overtighten)

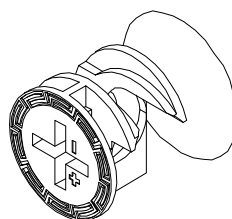
Not enough and the resulting product will not be stable.



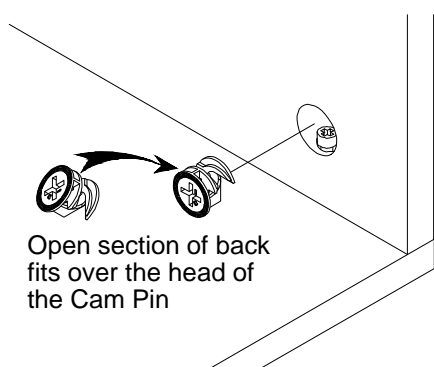
Now fit the hole in the edge of the joining board over the Cam Pin.



The Head of the Cam Pin will be visible in the large hole on the side of the joining board.

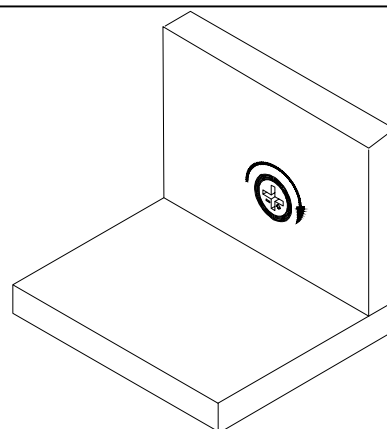


Notice the Cam Lock has a "C" Shaped Back. An arrow or +/- signs on the front indicate the open section on the back of the Cam Pin.

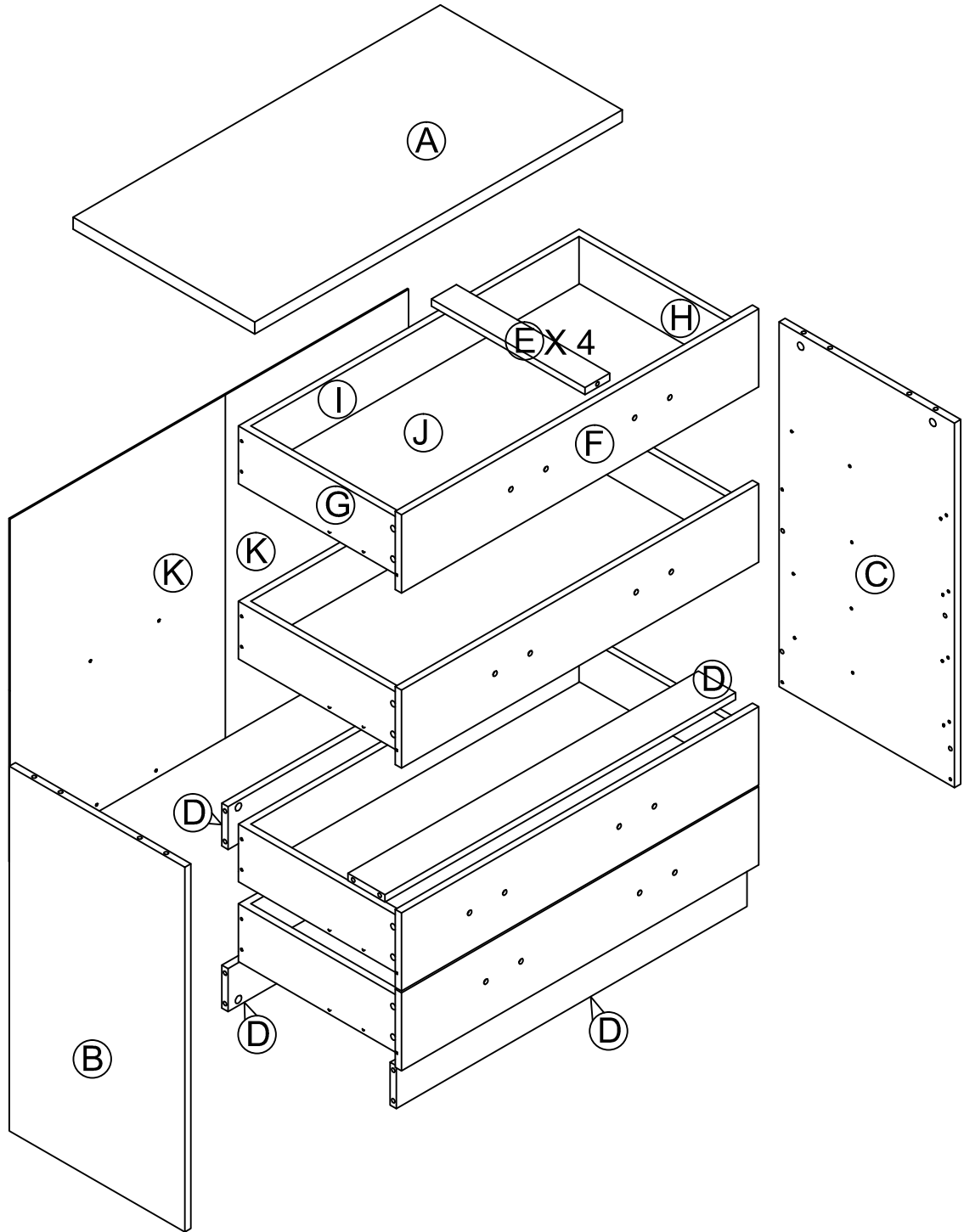


Open section of back fits over the head of the Cam Pin










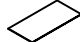

Insert the Cam Lock into the large hole so the opening of the "C" fits over the head of the Cam Pin. You must ensure that the Cam Lock is pushed to the bottom of the hole to catch the top of the Cam Pin.




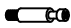




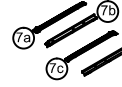






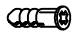

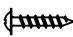
Use a Flat screwdriver to turn the Cam Lock clockwise one half turn so it locks onto the head of the Cam Pin. Turn only until it is snug. Over tightening could cause the Cam to bend or break. If it will not turn the full amount, turn the Cam Pin out (Counter-clockwise) one full turn, and try the Cam Lock again.



# Item Code- 82073

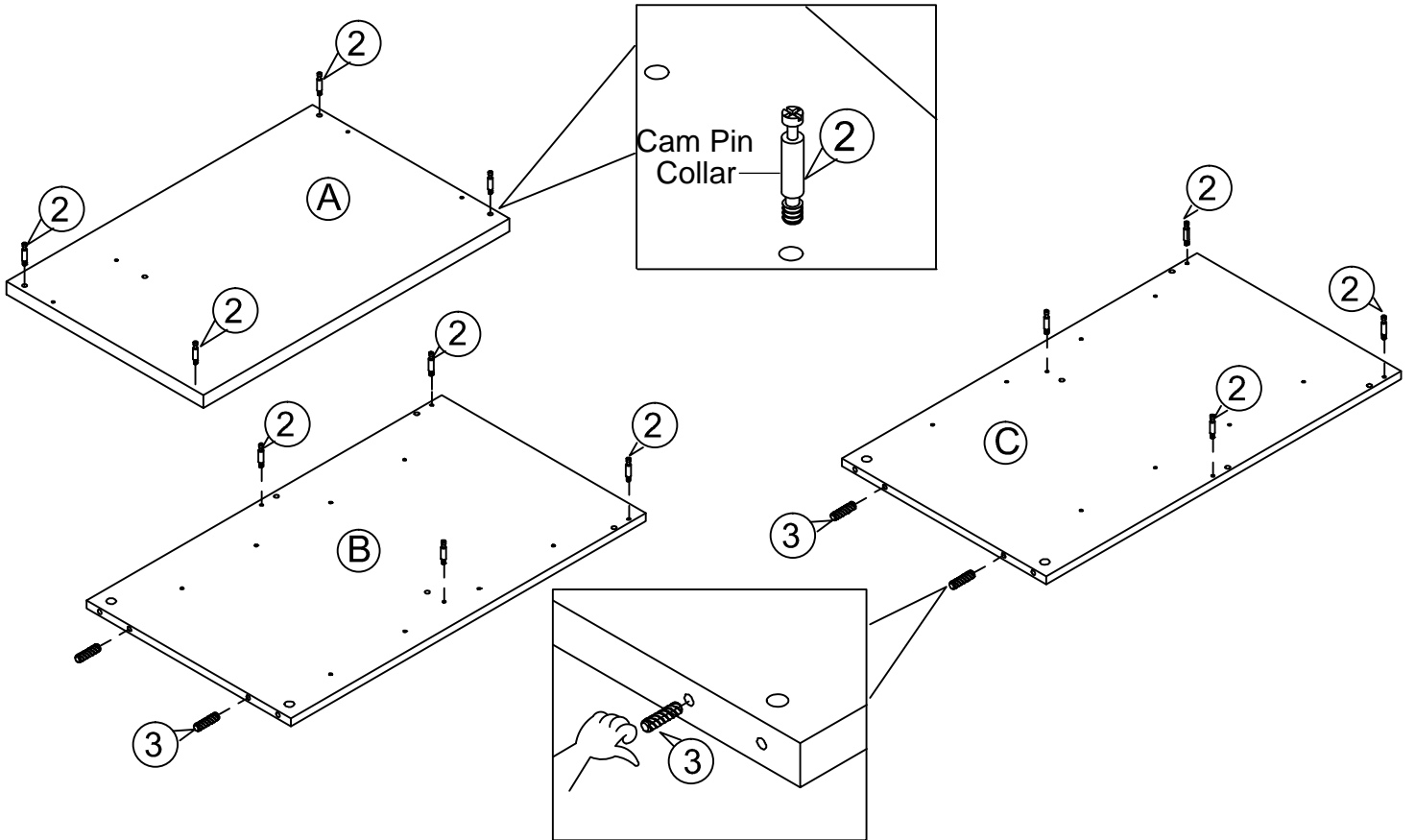
Panel(Mark)	Packing carton	Quantity	Picture	Dimension
A	(Box 2)	1 PC		866 x 442 x 15mm
B	(Box 1)	1 PC		1005 x 417 x 15mm
C	(Box 1)	1 PC		1005 x 417 x 15mm
D	(Box 1)	4 PCS		834 x 90 x 15mm
E	(Box 2)	4 PCS		384 x 60 x 15mm
F	(Box 2)	4 PCS		855 x 226 x 15mm
G	(Box 1)	4 PCS		400 x 166 x 15mm
H	(Box 1)	4 PCS		400 x 166 x 15mm
I	(Box 1)	4 PCS		779 x 166 x 15mm
J	(Box 2)	4 PCS		790 x 395 x 3mm
K	(Box 1)	2 PCS		950 x 430 x 3mm

Please note - All Hardwares in box 1.

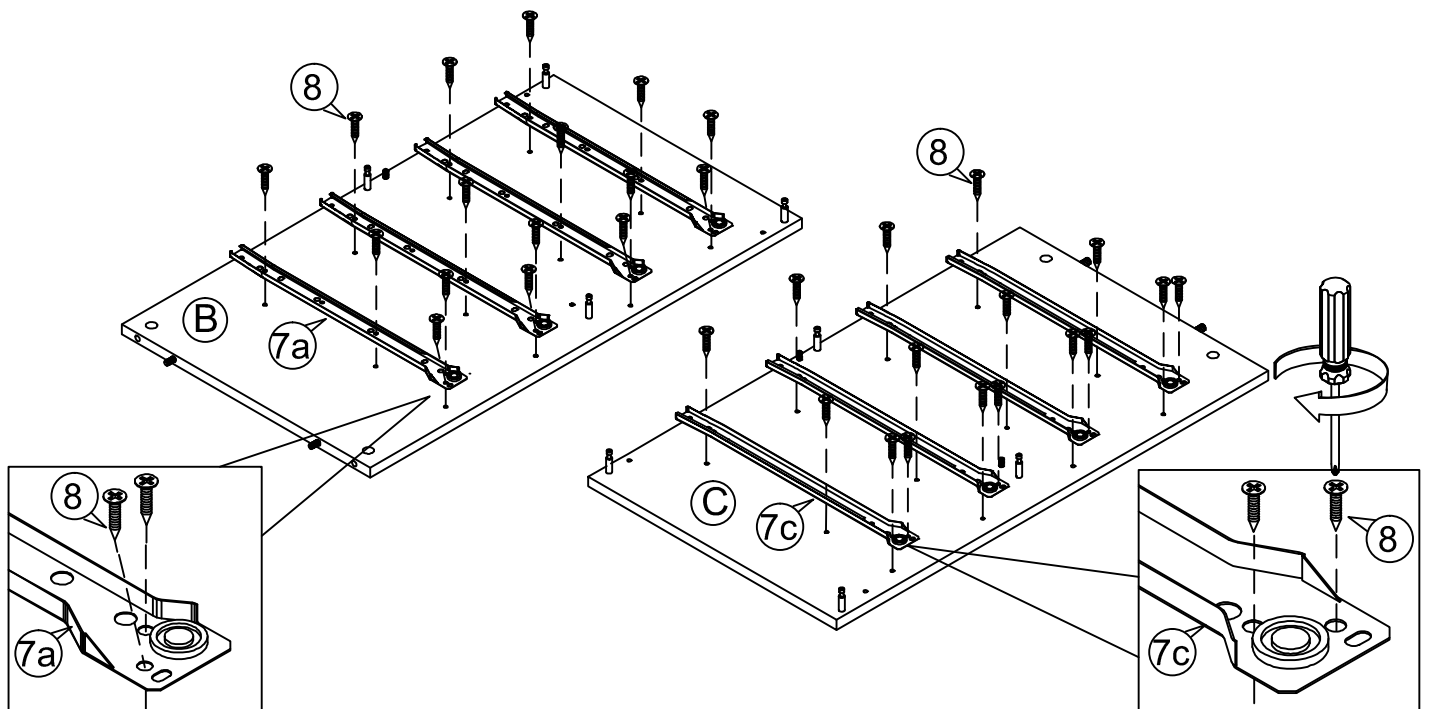
① 32 PCS  Ø15 x 12 mm	② 32 PCS  Ø6 x 34 mm	③ 12 PCS  Ø8 x 30 mm	④ 34 PCS  Ø4 x Ø2 x 15 mm	⑤ 4 PCS  65 x 65 x 13 mm	⑥ 16 PCS  Ø17.5 x 4 mm	⑦ 4 Sets  16"
⑧ 56 PCS  Ø3.5 x 14 mm	⑨ 24 PCS  Ø8 x Ø4 x 33 mm	⑩ 8 PCS  115 x 10 x 30 mm	⑪ 16 PCS  Ø8 x M4 x 19 mm	⑫ 8 PCS  Ø9 x Ø3 x 14 mm	⑬ 1 PC  20 x 40 x 1.2mm	⑭ 1 PC  Ø9 x Ø6 x 25mm
⑮ 1 PC  Ø9 x Ø4 x 15mm	⑯ 1 PC  Ø9 x Ø4 x 25mm					




# 1



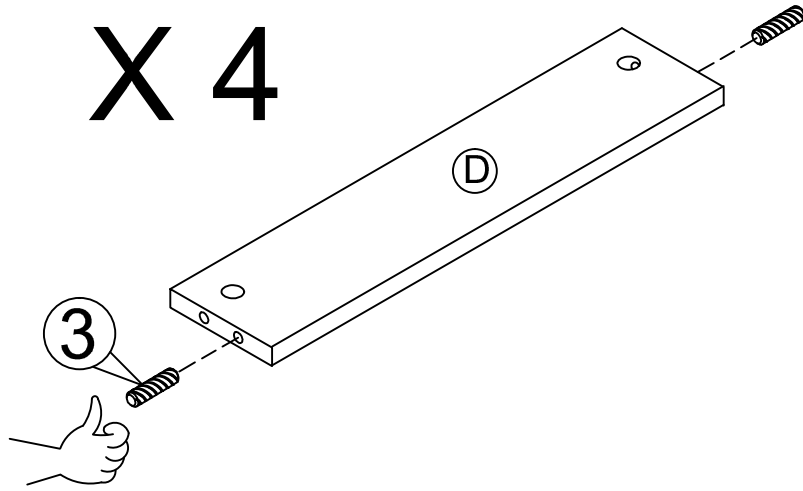
# 2



# 3

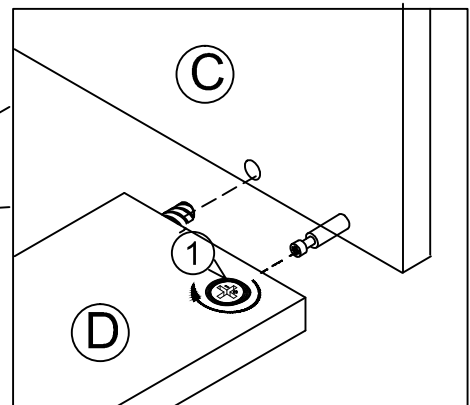
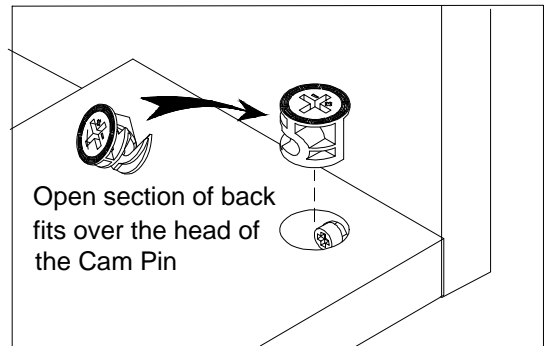
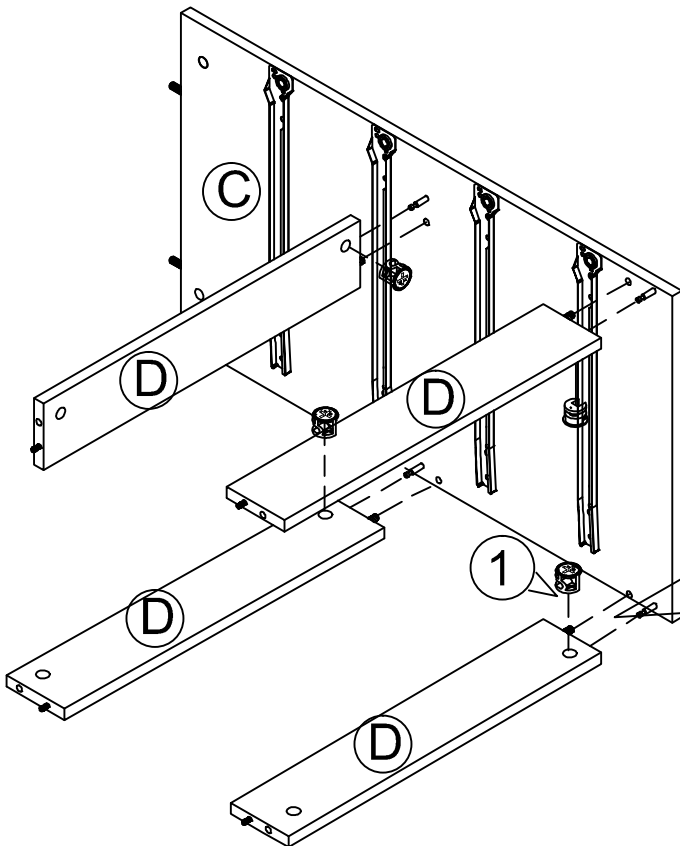
  
③ x 8

# X 4



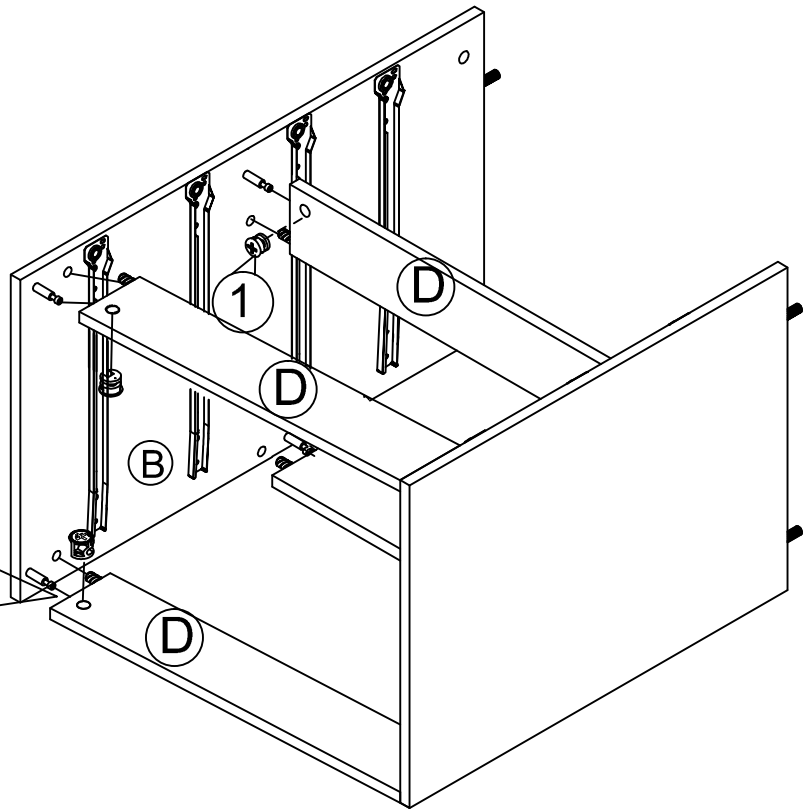
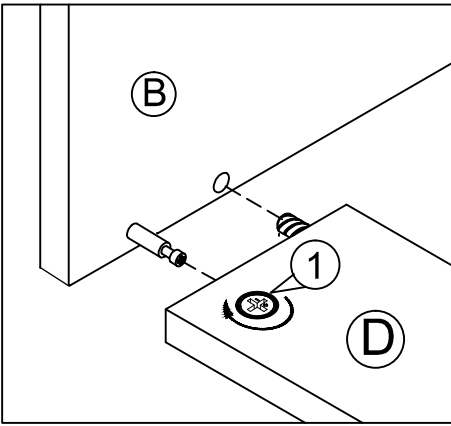
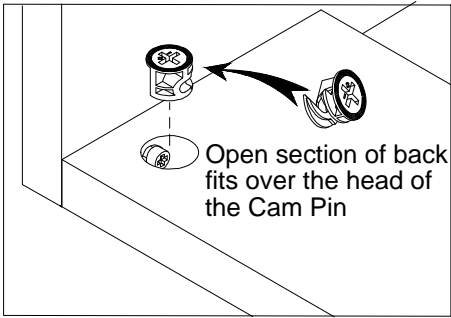
# 4

  
① x 4



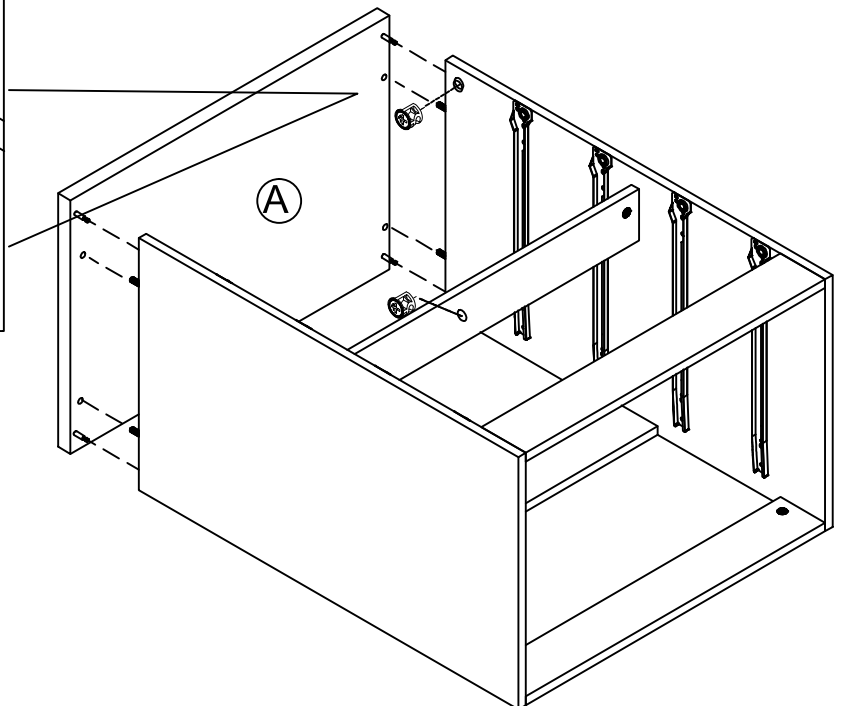
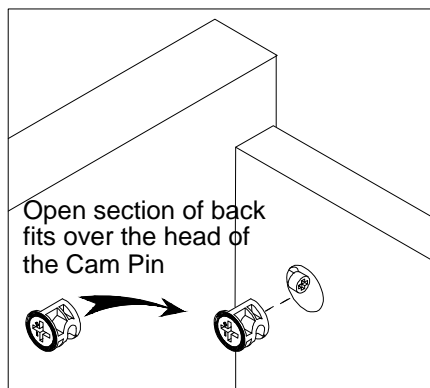
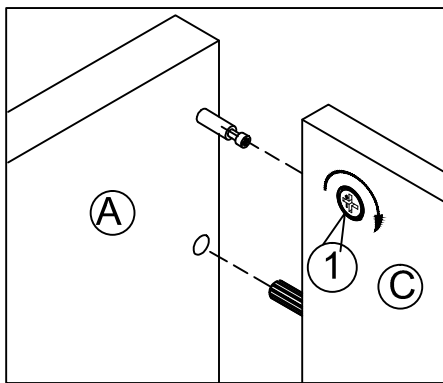
# 5

  
① x 4

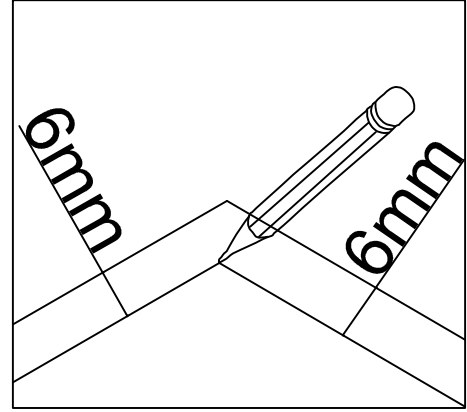
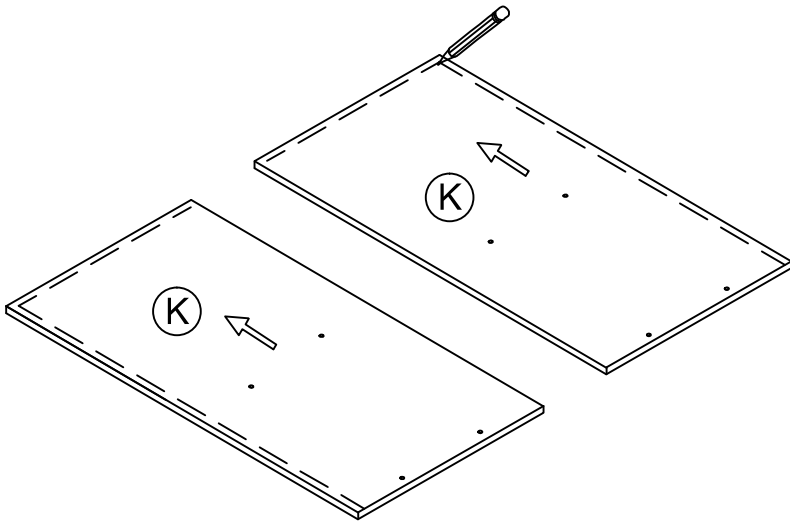


# 6

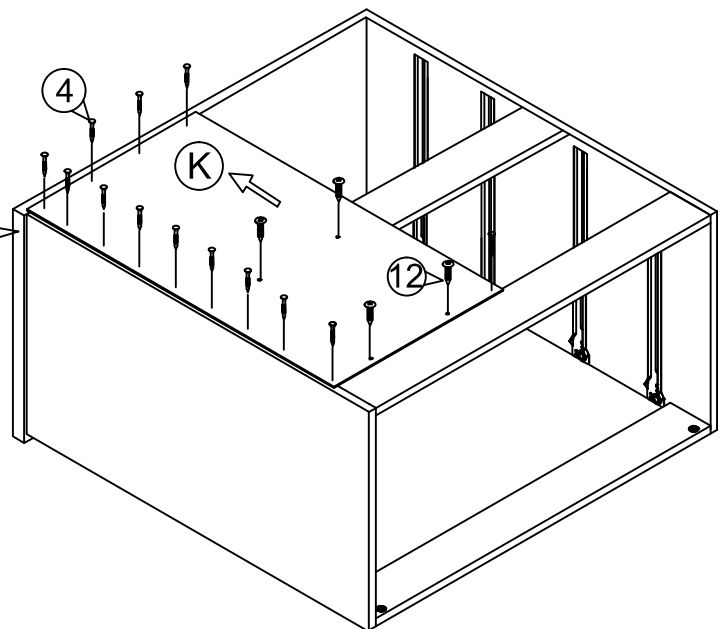
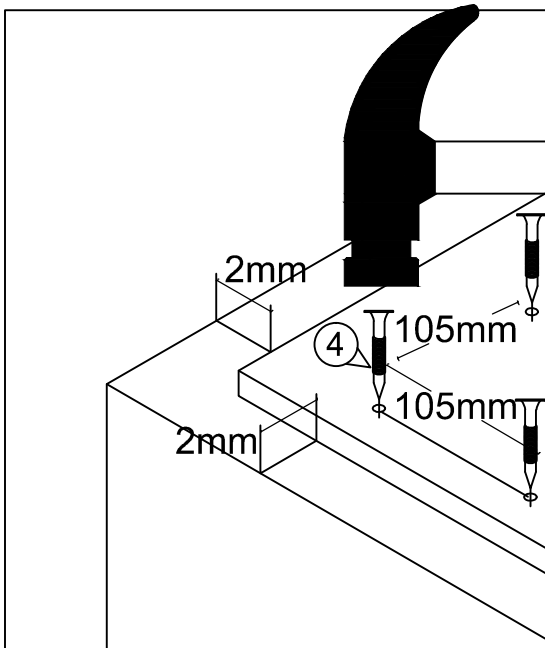
  
① x 4



# 7



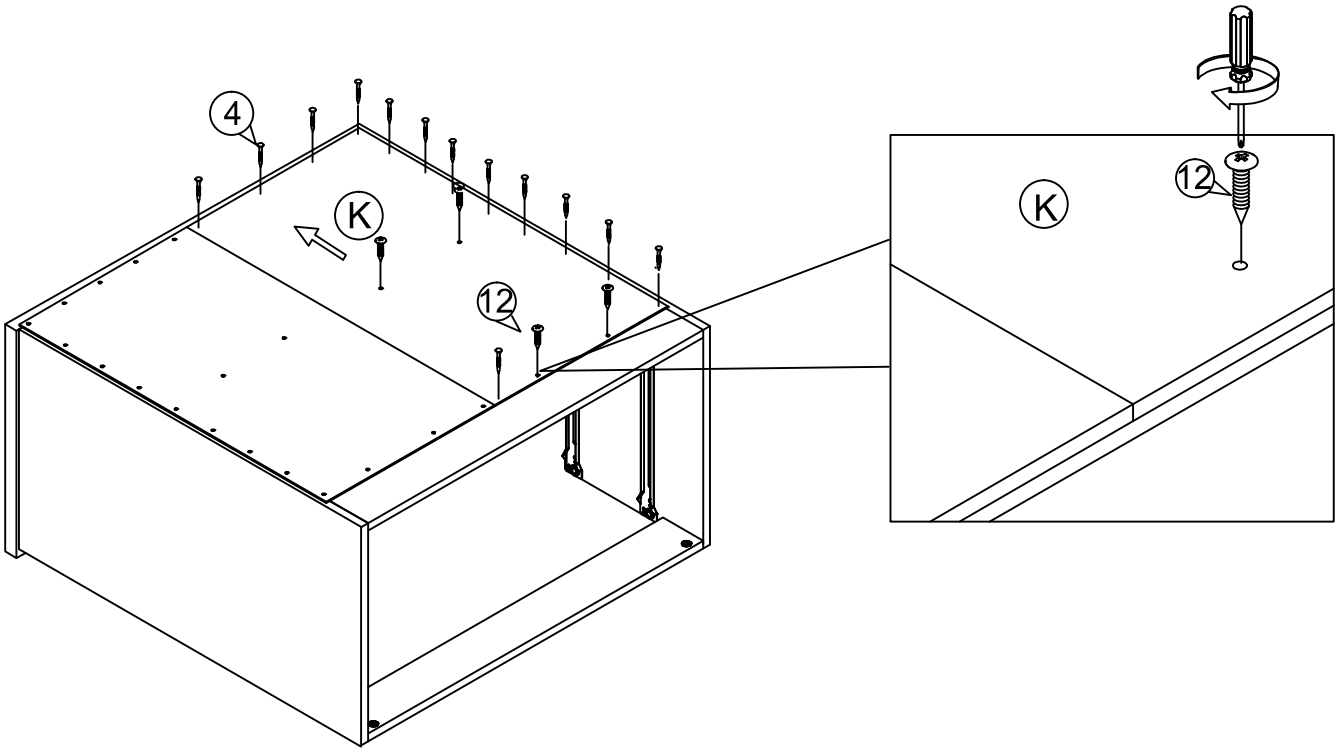
# 8



# 9

④ x 13

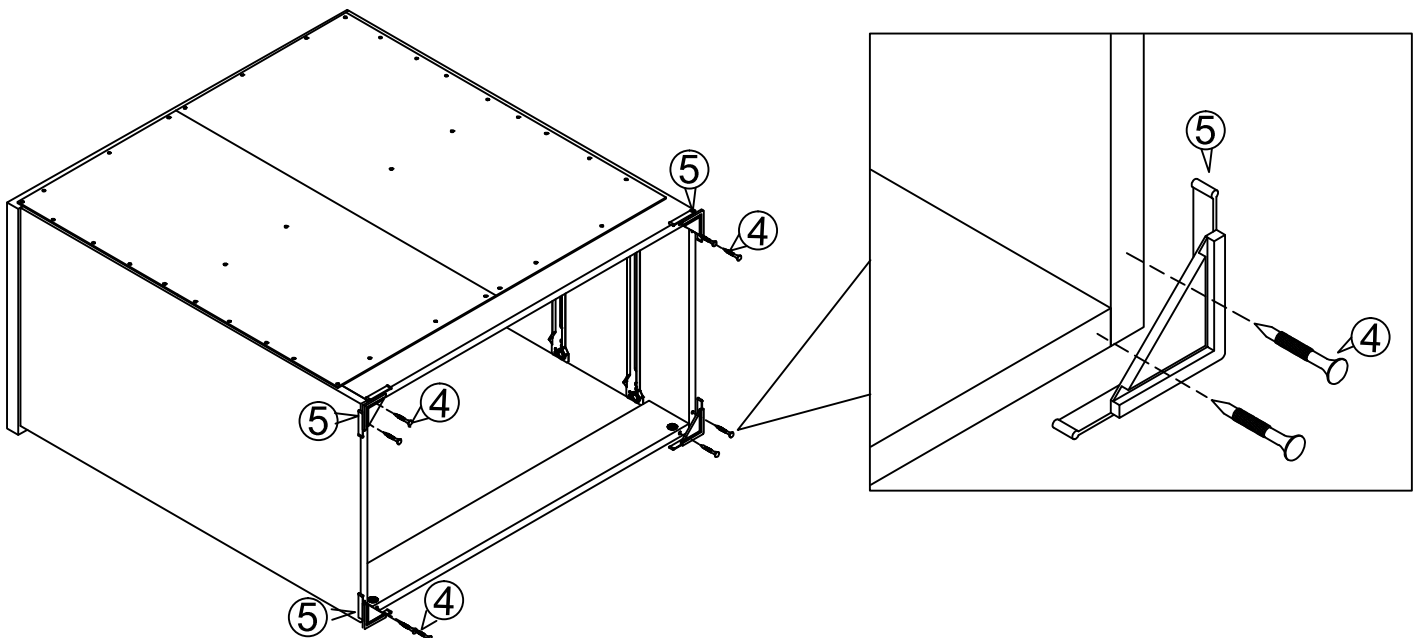
⑫ x 4



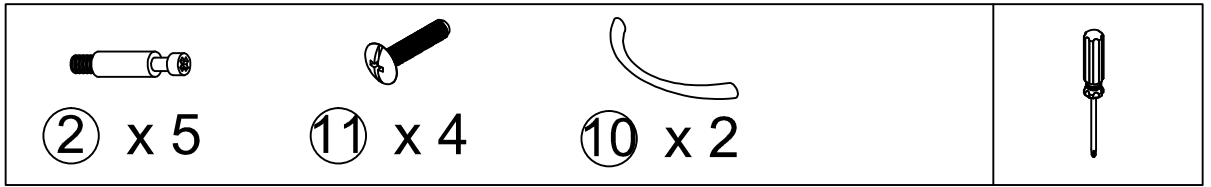
# 10

④ x 8

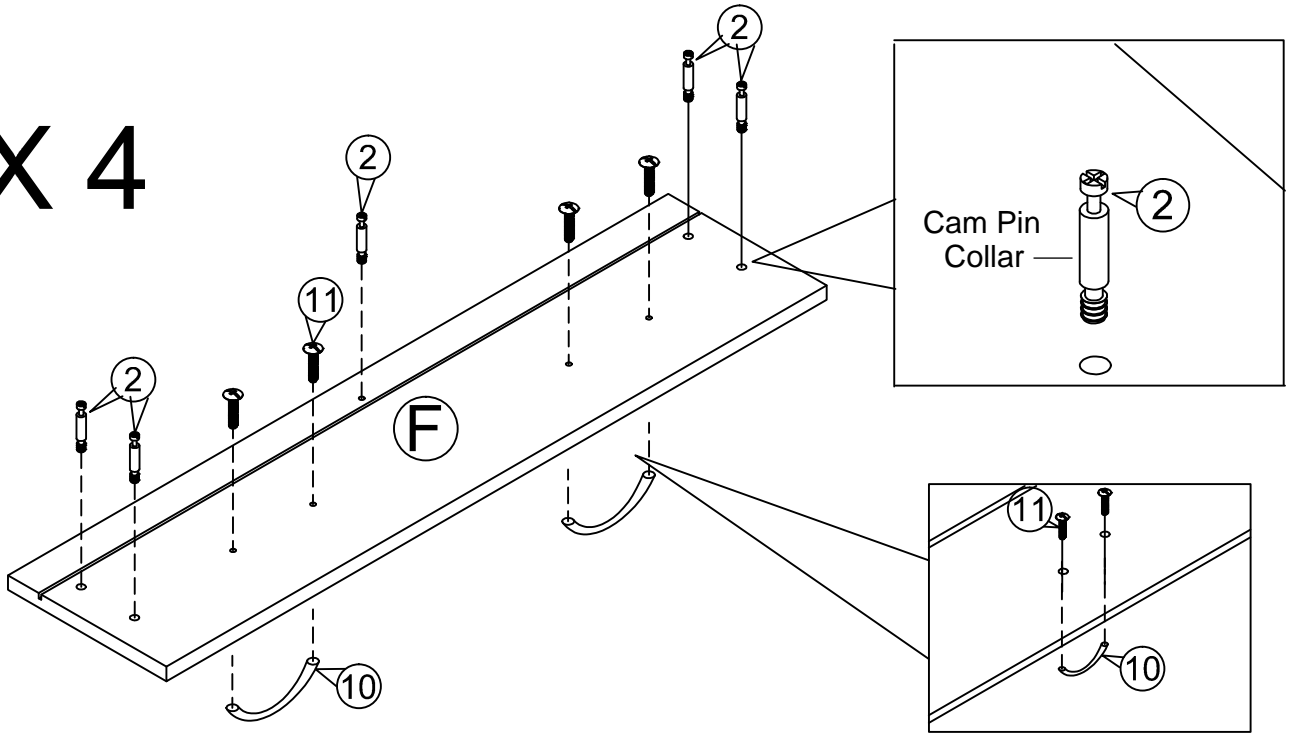
⑤ x 4



# 11



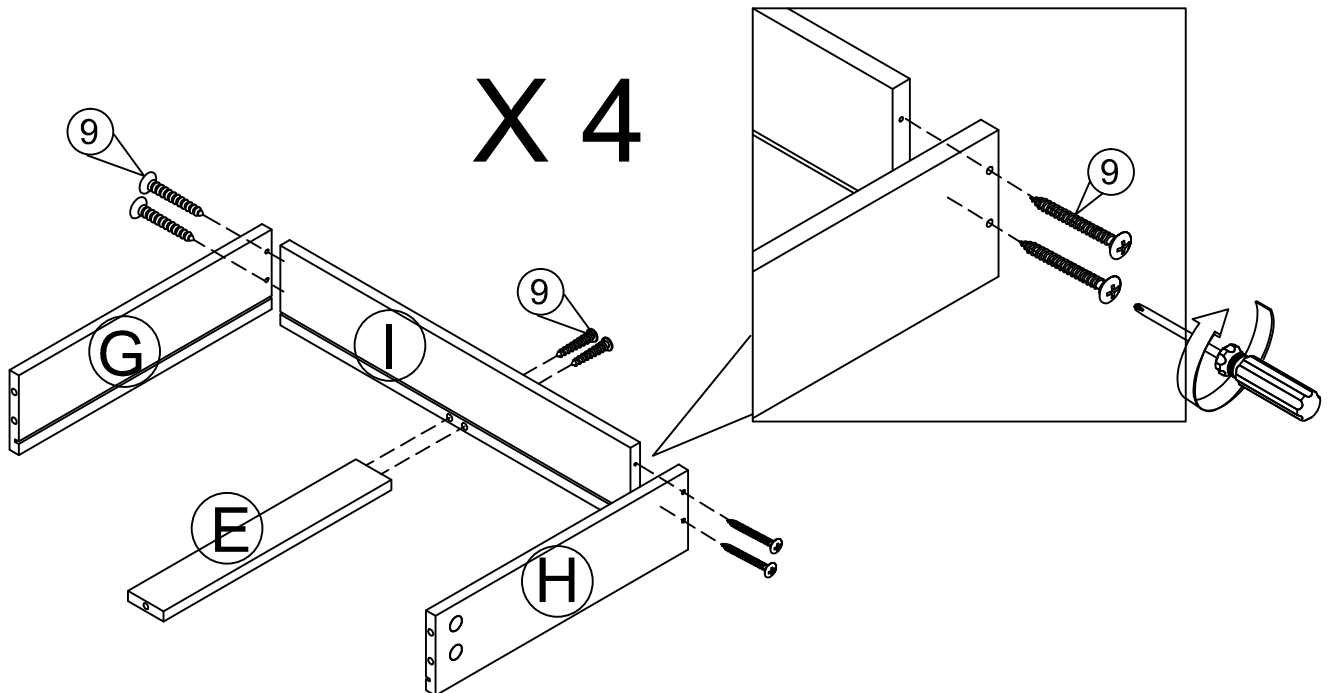
## X 4



# 12

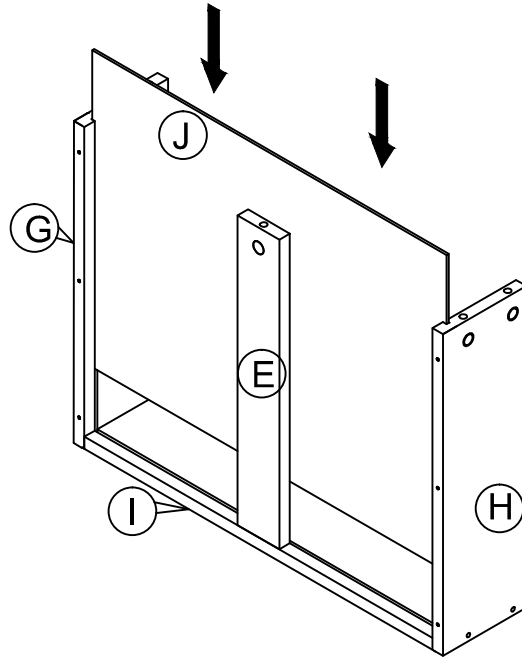


## X 4



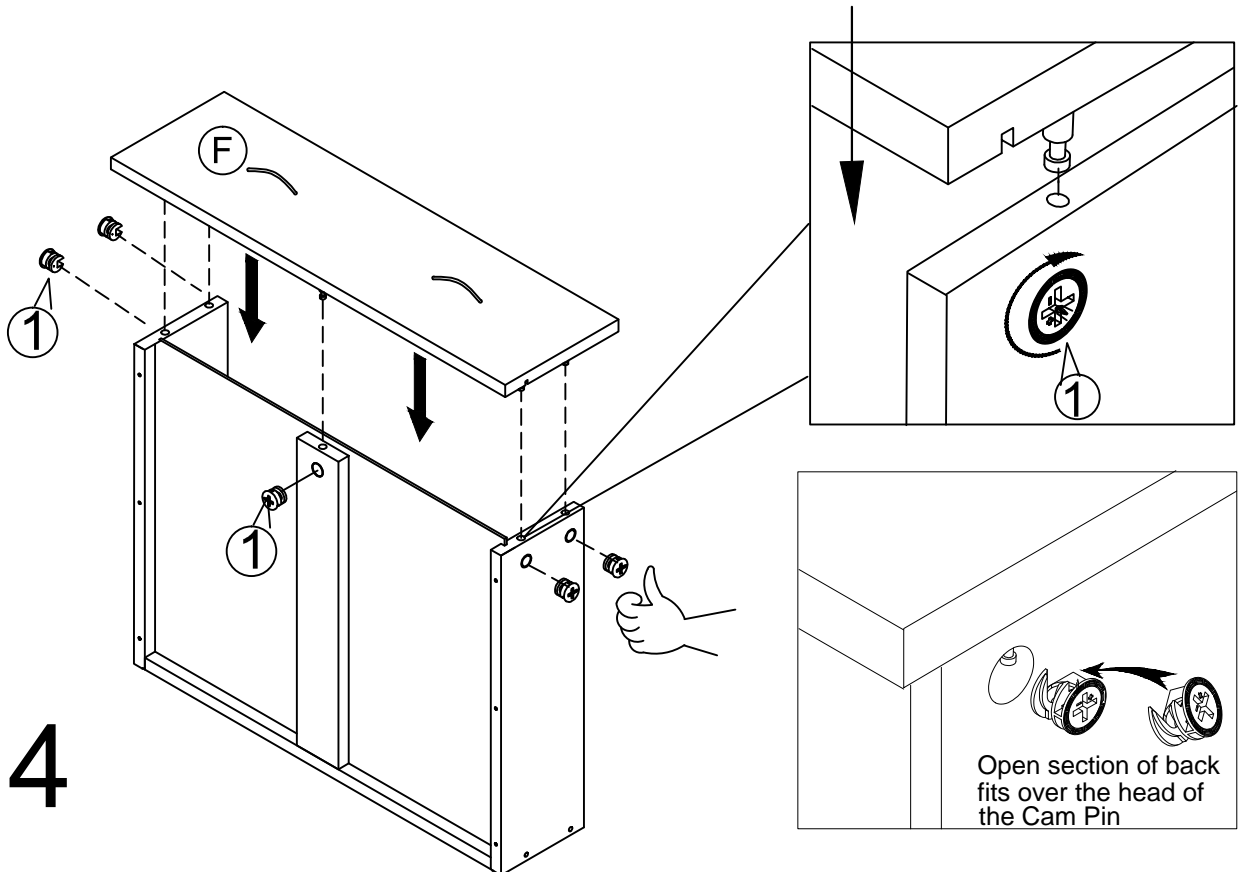
# 13

X 4



# 14

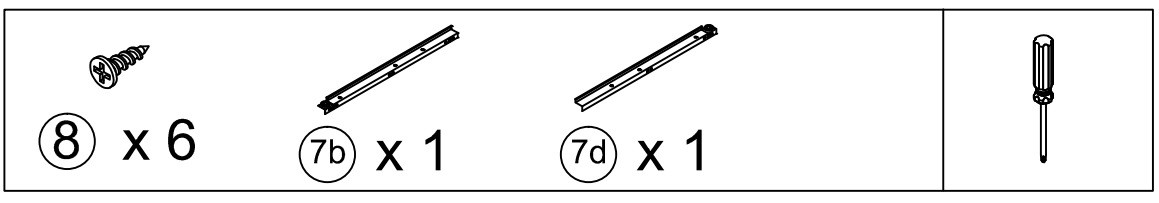
  
① x 5



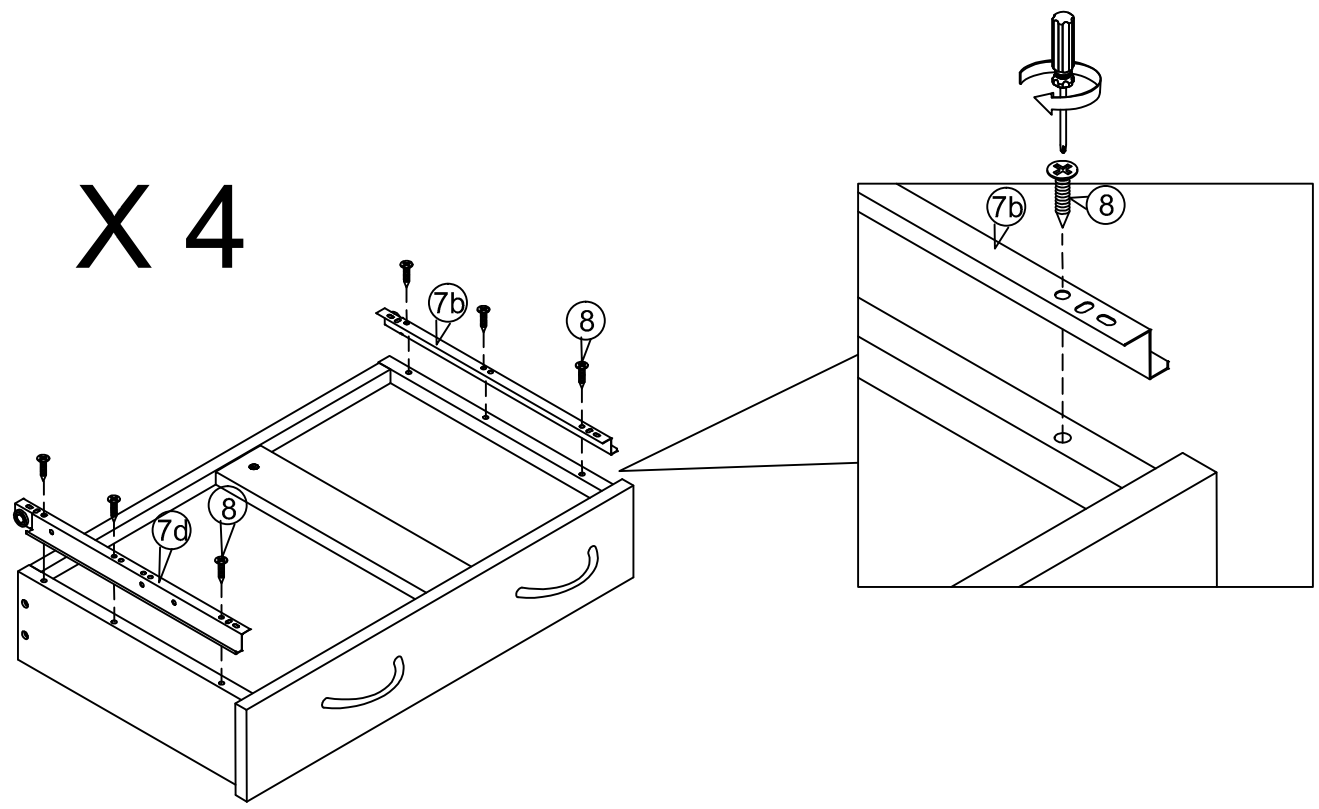
X 4

Open section of back fits over the head of the Cam Pin

# 15



X 4



# SAFETY BRACKETS INSTRUCTIONS

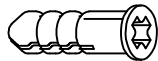
This furniture poses a tipping risk and as such must be secured to a wall using the provided tipping kit.

1. Attach one Mounting plate to the wall with the Large screws. Make sure to attach the Mounting Plate into a stud. If mounting into brick or masonry you will need to acquire wall anchors. Please enquire with your local hardware supplier for appropriate fixings.
2. Attach the second Mounting Plate to the furniture frame with the Short screws .
3. Move the furniter to its final position. Thread a Wall Strap through the both Mounting Plated and tighten until snug. Do not over tighten.
4. Make sure that the Mounting Plated are firmly attached to the wall and fumiture and that the Wall Strap is snug.

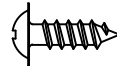
## HARDWARE



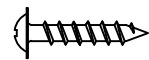
1 PC  
20 x 40 x 1.2mm  
Wall Bracket



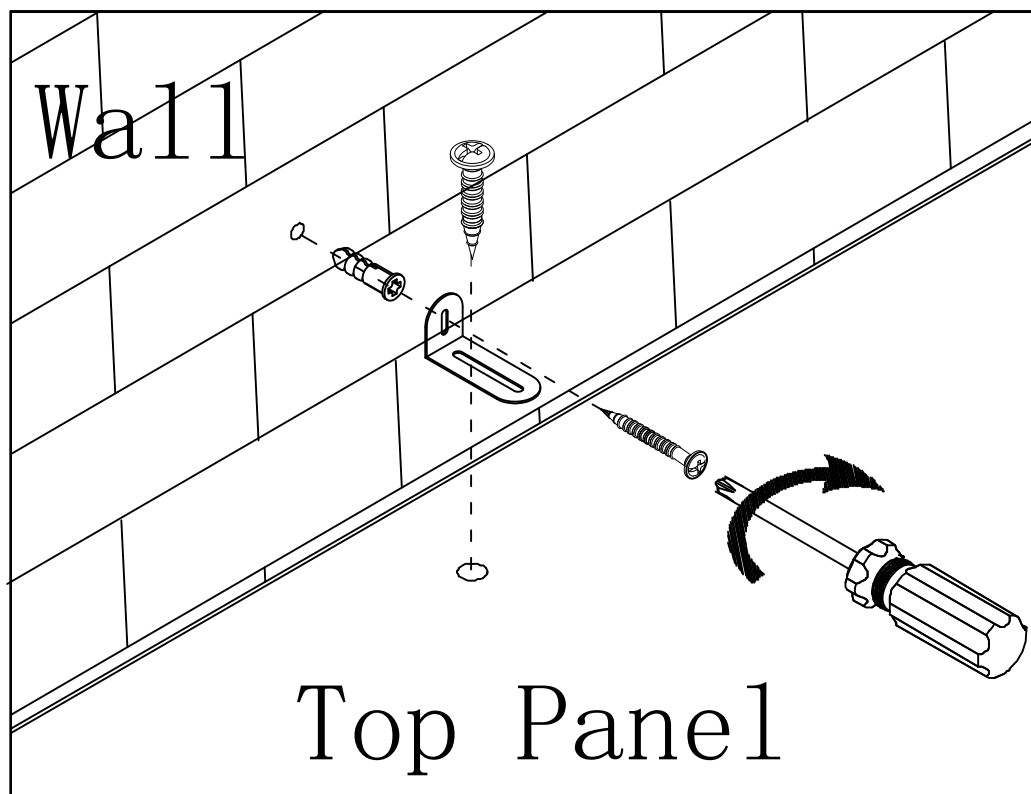
1 PC  
Ø9 x Ø6 x 25mm  
Plastic Screw




1 PC  
Ø9 x Ø4 x 15mm  
Screw

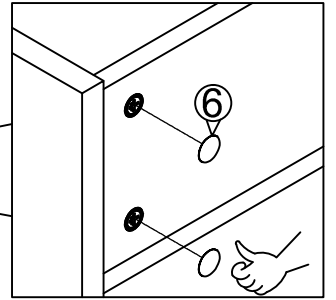
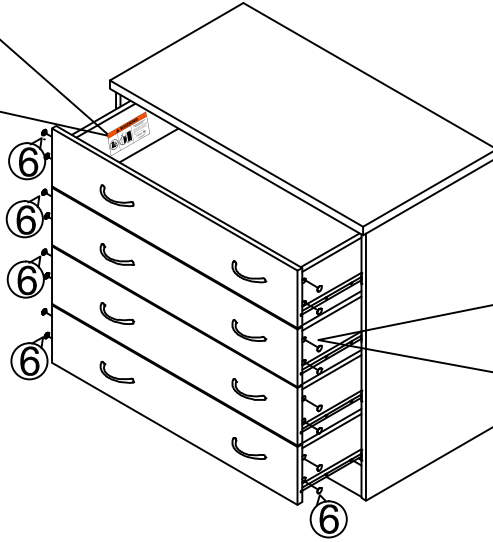


1 PC  
Ø9 x Ø4 x 25mm  
Screw

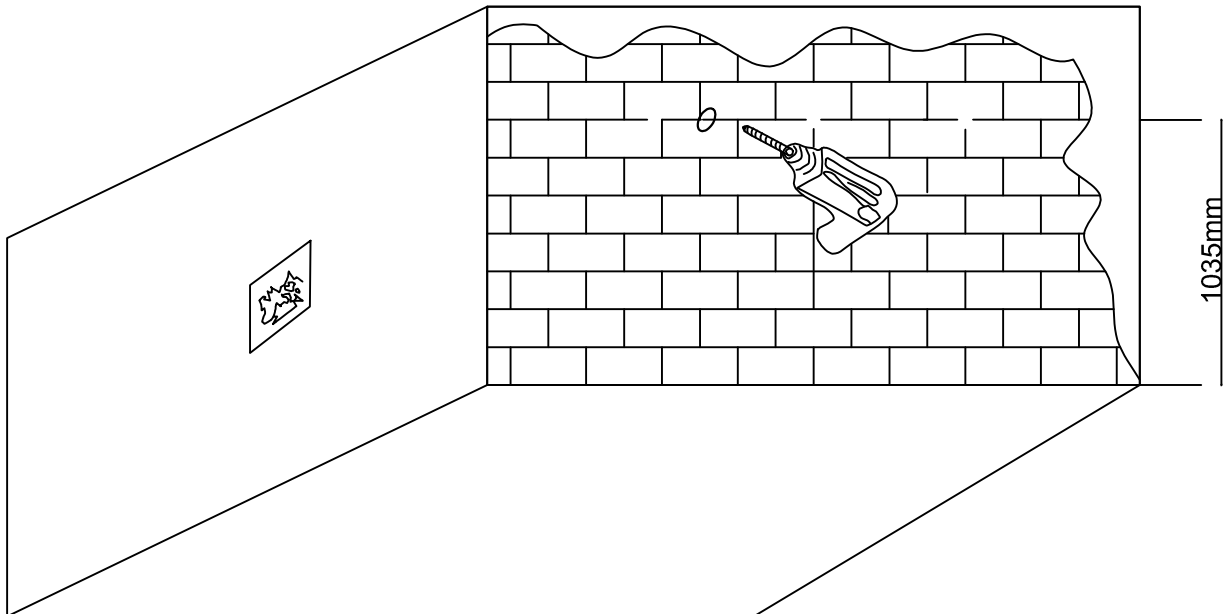
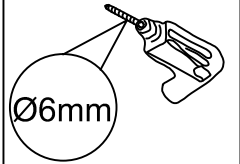


# 16

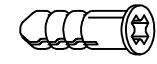
  
⑥ x 16



# 17



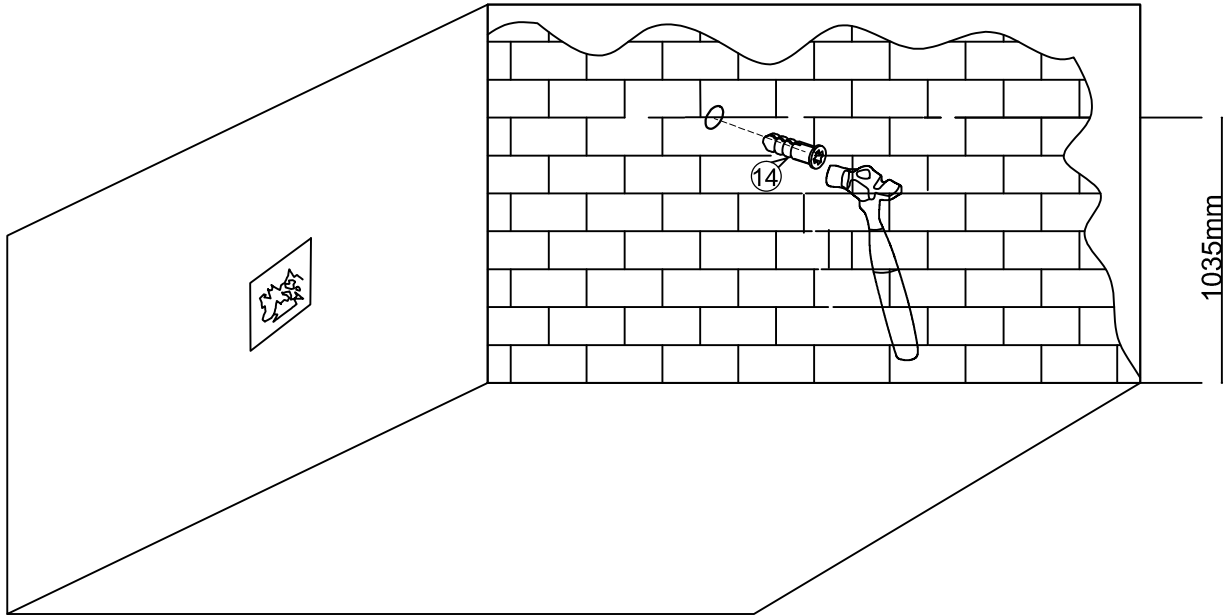
# 18



14 x 1



1min



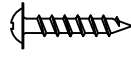
# 19



13 x 1



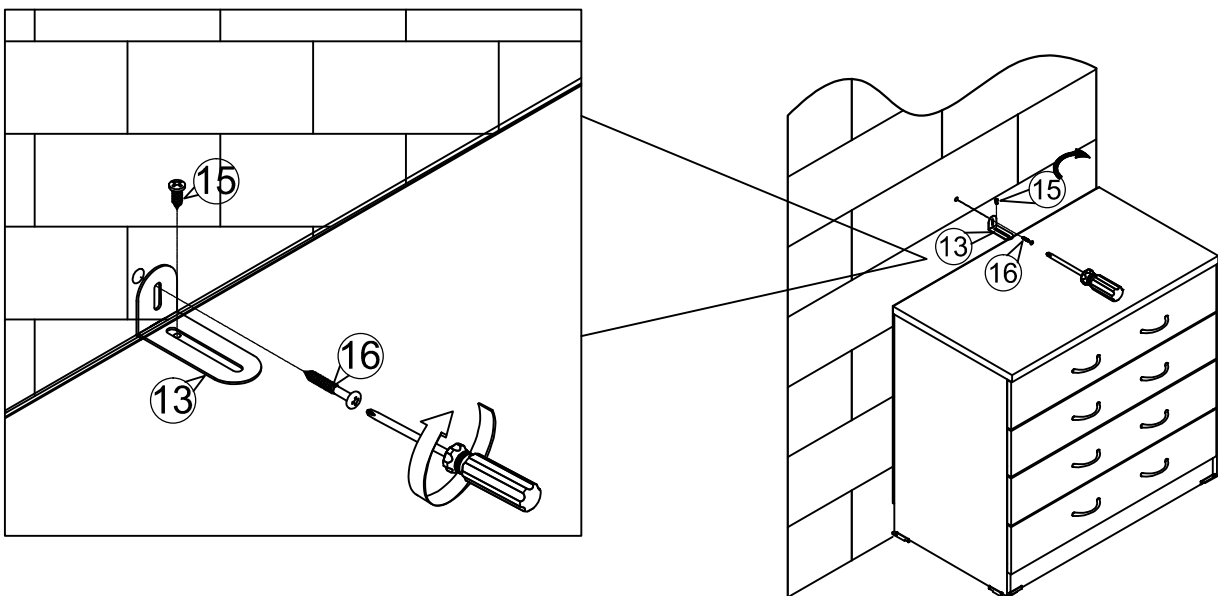
15 x 1



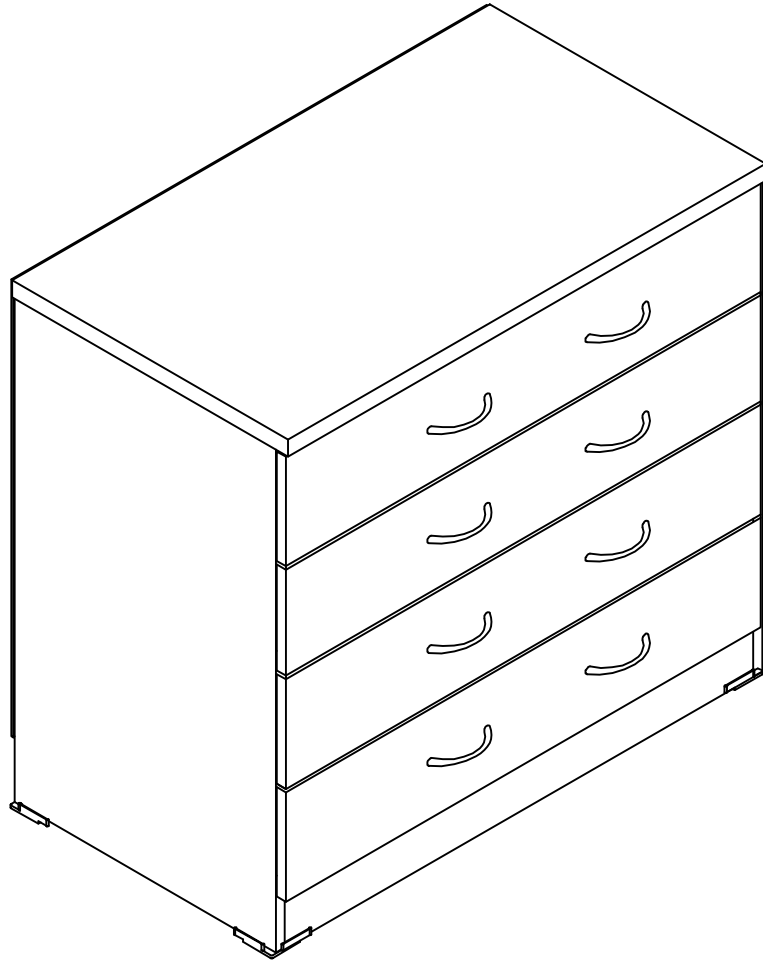
16 x 1



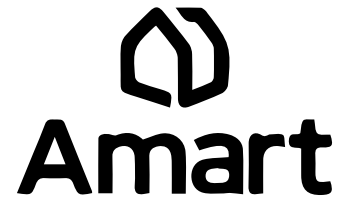
2min



ASSEMBLY IS COMPLETE



# Product Care



Our furniture is built to last. Following these steps for basic care should protect your investment for years to come

- Dust frequently with a clean damp lint-free cloth. This will help remove abrasive build up which can damage a finish over time
- Do not place hot objects on any furniture surface. Always use a hot plate or placemat.
- Avoid exposing your furniture to strong sunlight, heat outlet, open windows or dampness. Prolonged exposure to direct sunlight can fade the finish of your furniture, while extreme temperature and humidity changes can cause cracking or splitting
- Do not expose your furniture to any liquids. Never allow water to sit on your furniture. Alcohol, nail polish and perfume are also dangerous as they will dissolve the finish on contact and may require professional repairs
- Do not allow plastic to come in direct contact with your furniture. Chemicals in the plastic of placemats etc. may soften and mark the finish if left in contact with the furniture for a period of time

1